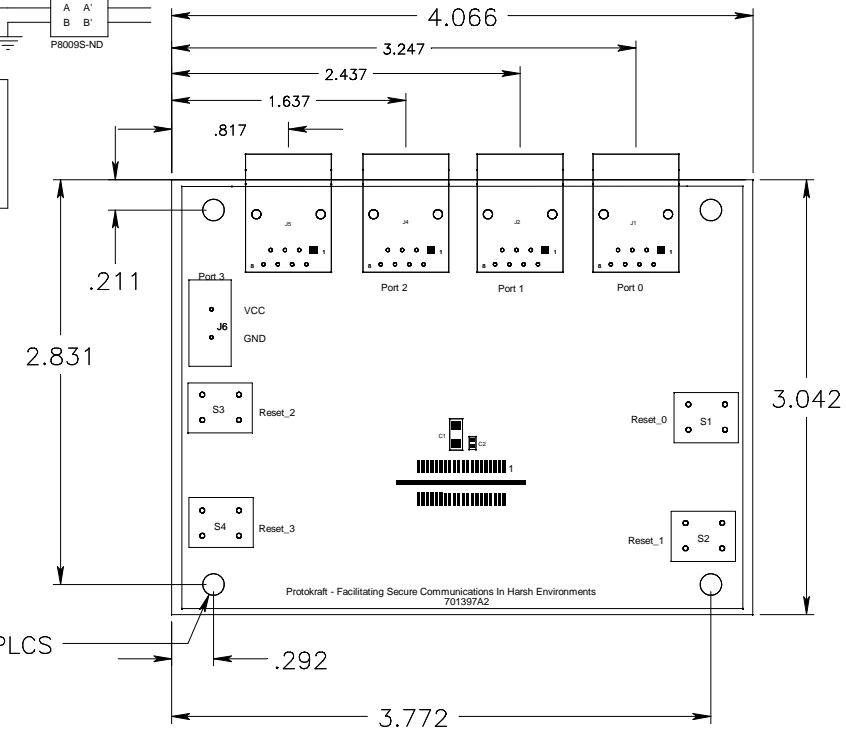
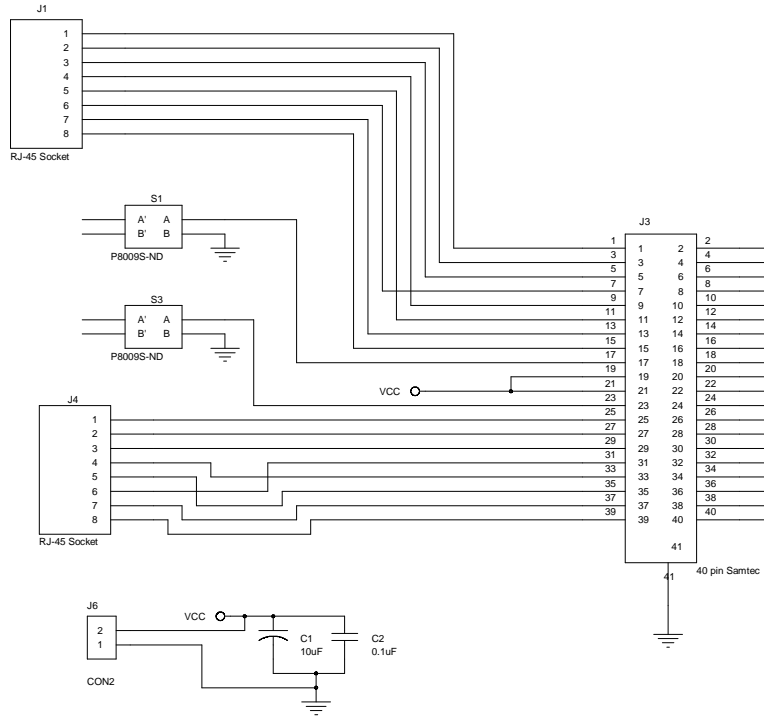


REV	DCO NUMBER	CHANGED BY/DATE	REV	DCO NUMBER	CHANGED BY/DATE
1	Initial Release	JB 9/2/11			
2	Added Mounting Holes	JB 11/21/11			



Ordering Information: STRJ-1-EB

Ø.130 - 4 PLCS

Title		
Samtec Cable Assembly_RJ-45 Breakout Board EB409 Eval Board Application Note		
Created By	Name	Date
Checked By		
Drawing Number		Issue
T00409A		2

